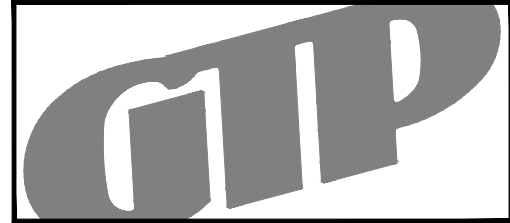
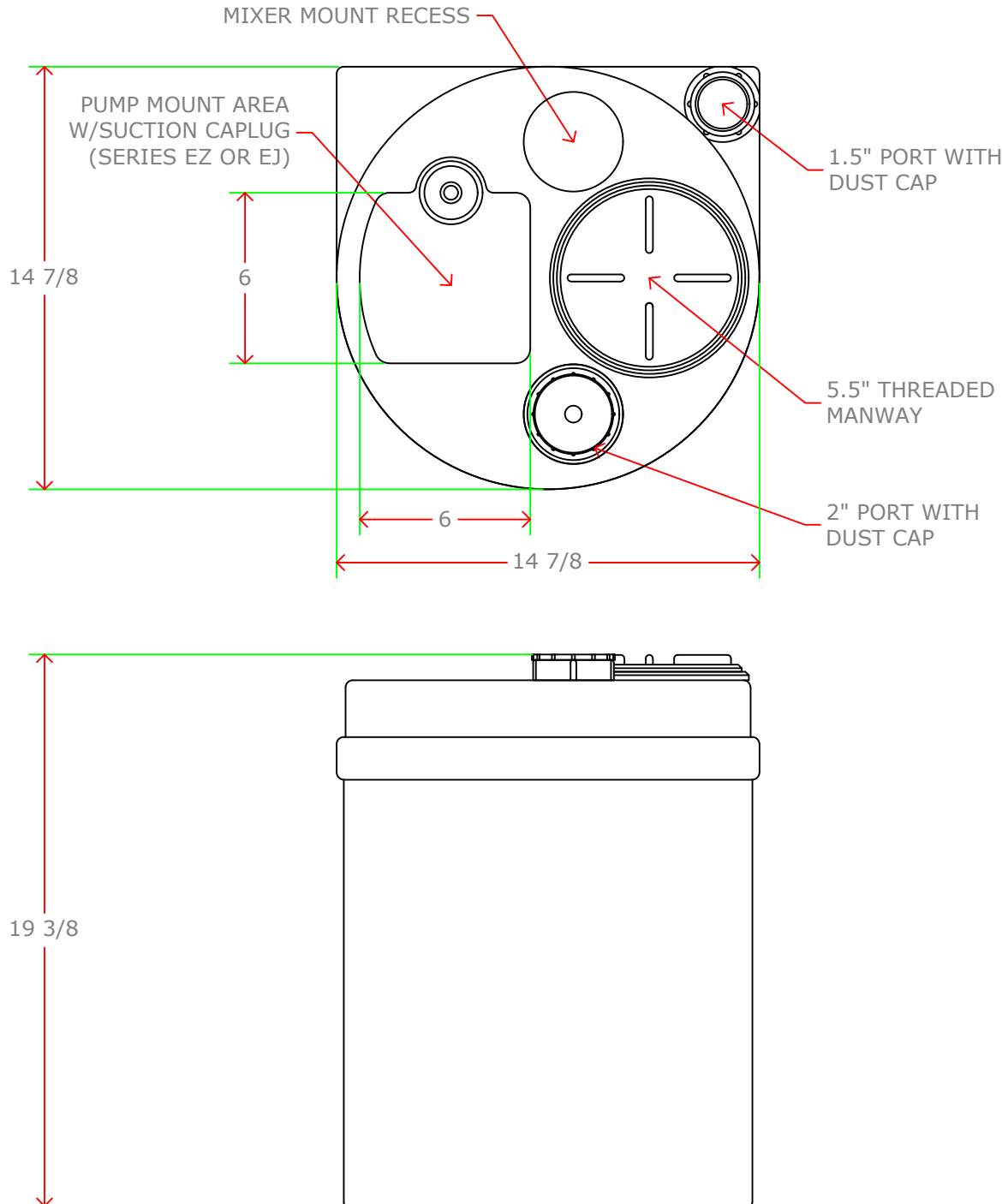


NOTICE: This drawing and its contents are for the specific use of GTP customers only. It is not to be duplicated or copied without expressed written consent of General Treatment Products, Inc. We reserve the right to modify this drawing without notice.



MATERIALS OF CONSTRUCTION:
POLYETHYLENE

Capacity:	7.5	Gallons				
Max Temp.:	85	F				
Max Press.:	0	PSI				
Weight:	16	Lbs.				
Voltage.:	x	VAC	x	Phs	x	Hz
FLA.:	x	amps				

20	x	x
19	x	x
18	x	x
17	x	x
16	x	x
15	x	x
14	x	x
13	x	x
12	x	x
11	x	x
10	x	x
9	x	x
8	x	x
7	x	x
6	x	x
5	x	x
4	x	x
3	x	x
2	x	x
1	x	x

#	PART	DESCRIPTION
F	x	xx/xx/xx
E	x	xx/xx/xx
D	x	xx/xx/xx
C	x	xx/xx/xx
B	x	xx/xx/xx

REV	DESCRIPTION	DATE
-----	-------------	------

General Treatment Products, Inc.
 PO Box 8697, Brea, CA 92822
 Phone: 714) 257-9165 <http://www.gtpcompany.com>
 Fax: 714) 257-9215 customerservice@gtpcompany.com

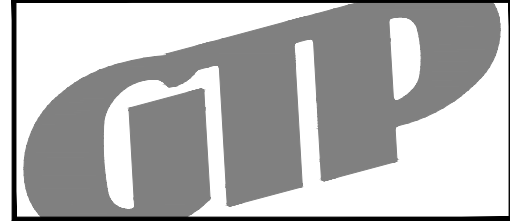
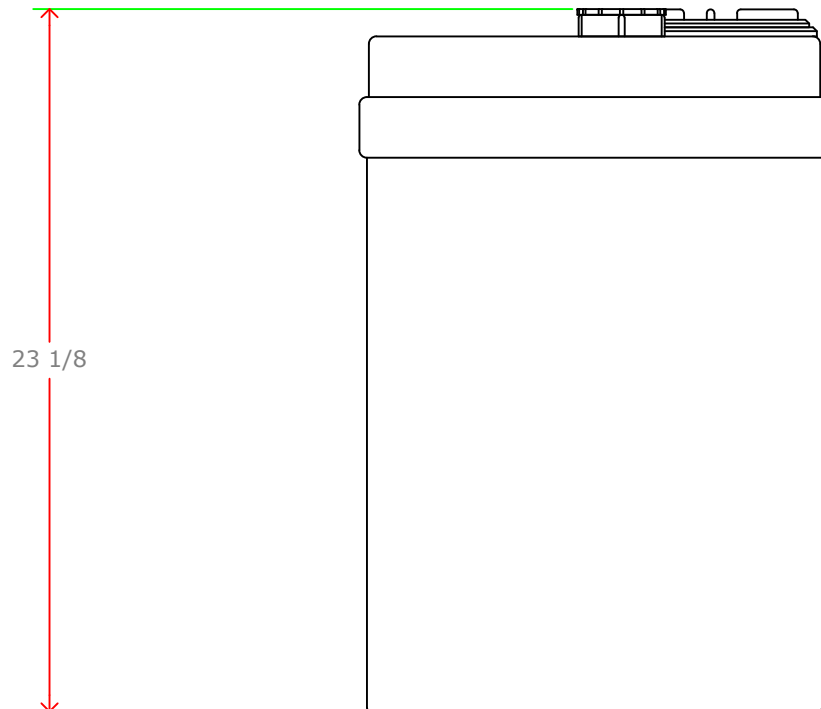
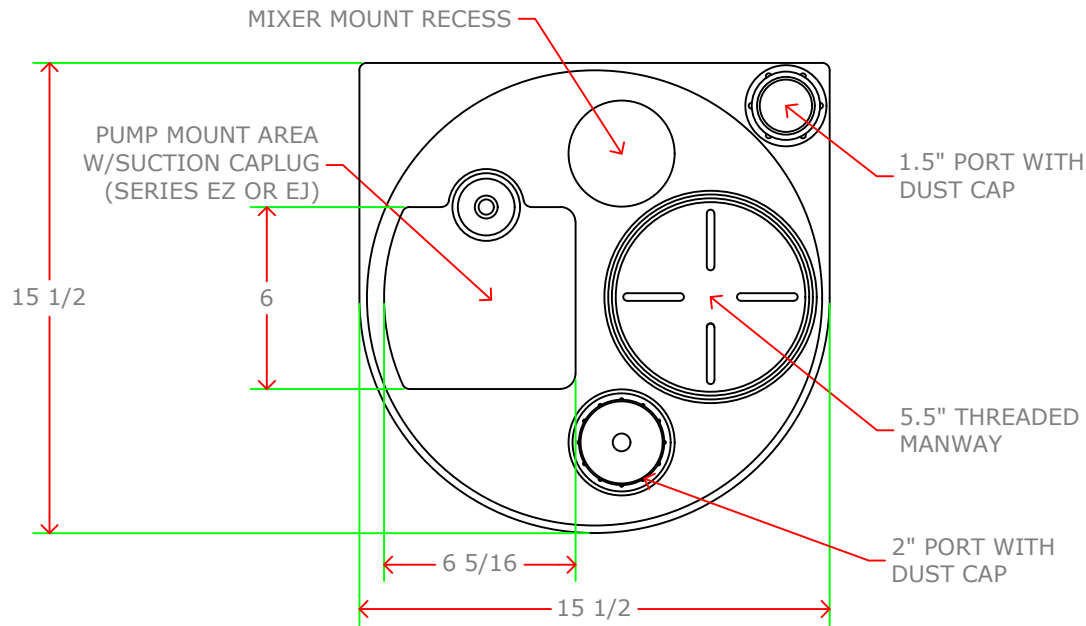
Date: 11/2018 Scale: NTS Rev.: A

Description:
"DWP" DOUBLE WALL STORAGE TANK

Model:
DWP7.5

NOTICE: This drawing and its contents are for the specific use of GTP customers only. It is not to be duplicated or copied without expressed written consent of General Treatment Products, Inc. We reserve the right to modify this drawing without notice.

NOTICE: This drawing and its contents are for the specific use of GTP customers only. It is not to be duplicated or copied without expressed written consent of General Treatment Products, Inc. We reserve the right to modify this drawing without notice.



MATERIALS OF CONSTRUCTION:
POLYETHYLENE

Capacity:	10	Gallons				
Max Temp.:	85	F				
Max Press.:	0	PSI				
Weight:	17	Lbs.				
Voltage.:	x	VAC	x	Phs	x	Hz
FLA.:	x	amps				

20	x	x
19	x	x
18	x	x
17	x	x
16	x	x
15	x	x
14	x	x
13	x	x
12	x	x
11	x	x
10	x	x
9	x	x
8	x	x
7	x	x
6	x	x
5	x	x
4	x	x
3	x	x
2	x	x
1	x	x

#	PART	DESCRIPTION
F	x	xx/xx/xx
E	x	xx/xx/xx
D	x	xx/xx/xx
C	x	xx/xx/xx
B	x	xx/xx/xx

REV	DESCRIPTION	DATE
-----	-------------	------

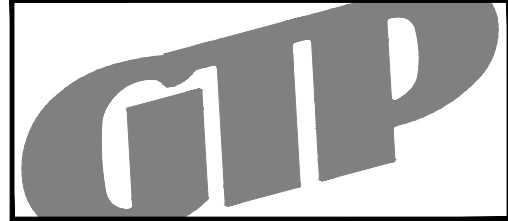
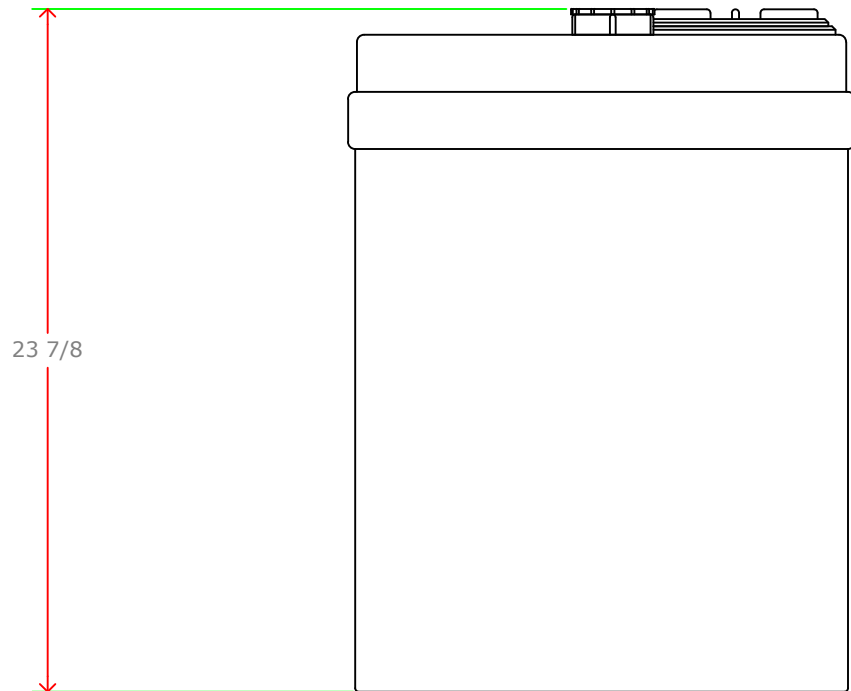
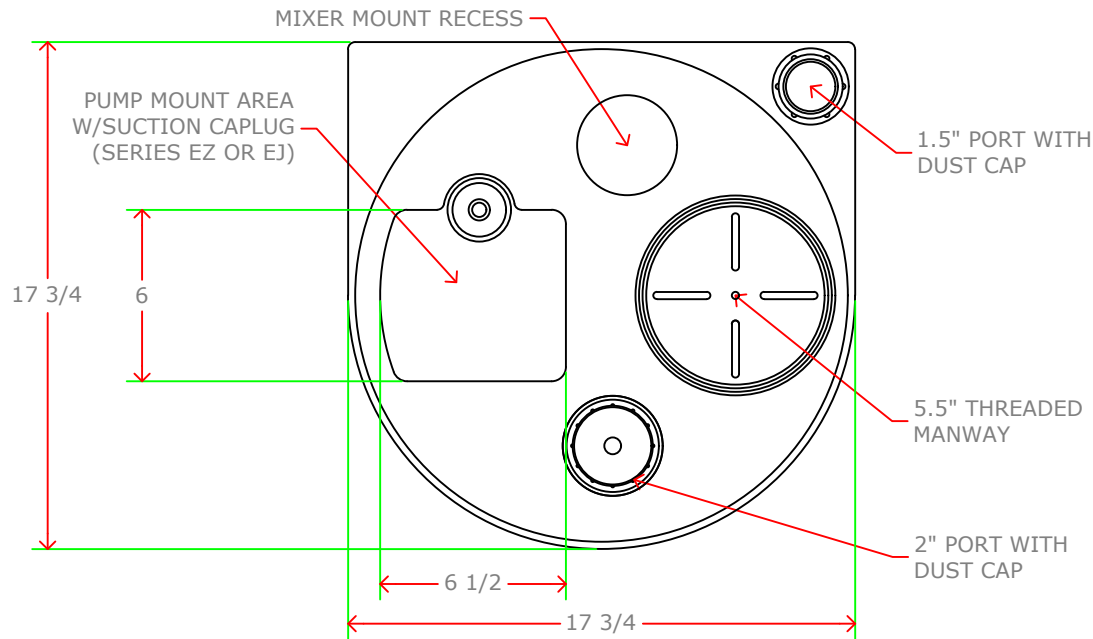
General Treatment Products, Inc.
 PO Box 8697, Brea, CA 92822
 Phone: 714) 257-9165 <http://www.gtpcompany.com>
 Fax: 714) 257-9215 customerservice@gtpcompany.com

Date: 11/2018 Scale: NTS Rev.: A

Description:
 "DWP" DOUBLE WALL STORAGE TANK
 Model:
 DWP10

NOTICE: This drawing and its contents are for the specific use of GTP customers only. It is not to be duplicated or copied without expressed written consent of General Treatment Products, Inc. We reserve the right to modify this drawing without notice.

NOTICE: This drawing and its contents are for the specific use of GTP customers only. It is not to be duplicated or copied without expressed written consent of General Treatment Products, Inc. We reserve the right to modify this drawing without notice.



MATERIALS OF CONSTRUCTION:
POLYETHYLENE

Capacity:	15	Gallons				
Max Temp.:	85	F				
Max Press.:	0	PSI				
Weight:	21	Lbs.				
Voltage.:	x	VAC	x	Phs	x	Hz
FLA.:	x	amps				

20	x	x
19	x	x
18	x	x
17	x	x
16	x	x
15	x	x
14	x	x
13	x	x
12	x	x
11	x	x
10	x	x
9	x	x
8	x	x
7	x	x
6	x	x
5	x	x
4	x	x
3	x	x
2	x	x
1	x	x

#	PART	DESCRIPTION
F	x	xx/xx/xx
E	x	xx/xx/xx
D	x	xx/xx/xx
C	x	xx/xx/xx
B	x	xx/xx/xx

REV	DESCRIPTION	DATE
-----	-------------	------

General Treatment Products, Inc.
 PO Box 8697, Brea, CA 92822
 Phone: 714) 257-9165 <http://www.gtpcompany.com>
 Fax: 714) 257-9215 customerservice@gtpcompany.com

Date: 11/2018 Scale: NTS Rev.: A

Description:
"DWP" DOUBLE WALL STORAGE TANK

Model:
DWP15

NOTICE: This drawing and its contents are for the specific use of GTP customers only. It is not to be duplicated or copied without expressed written consent of General Treatment Products, Inc. We reserve the right to modify this drawing without notice.